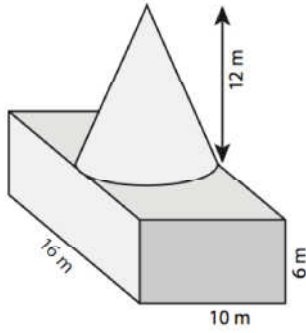
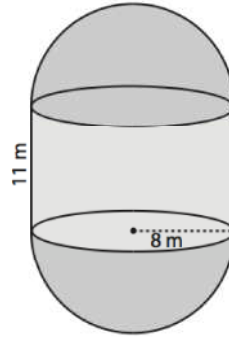


**World 6-6 Surface Area of Decomposable Solids**

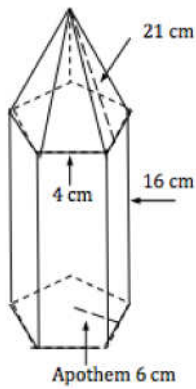
1) a) Calculate the total surface area



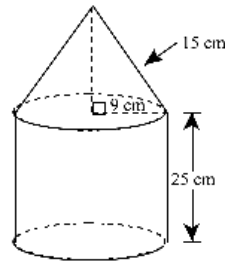
b) Calculate the total surface area



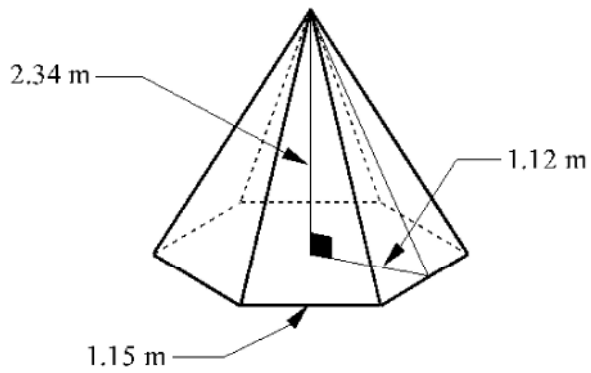
2) The *amber gem* is a very valuable jewel (multi-million \$). The value of the gem is \$100/mm<sup>2</sup>. What is the value of *amber gem*?



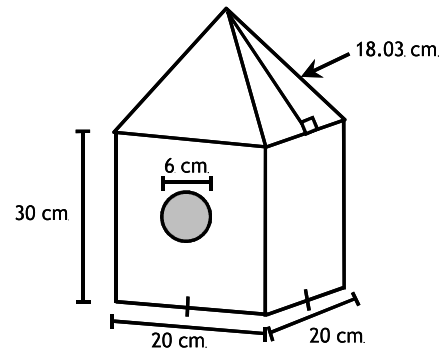
3) What is the total surface area of this shape?



4) How much fabric was used to cover the lateral surface of the tent?

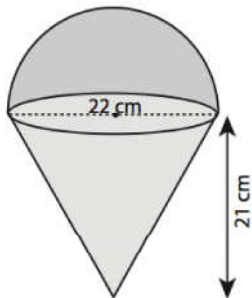


5) What is the total surface area of the birdhouse with a hole cut out on one face?



e)

6) a) Calculate the surface area of this cone



b) Calculate the surface area of this podium

